

**WICONA®**

By  Hydro



Aluminium solutions for façades,  
windows, doors and sliding elements

**WICTEC EL60**

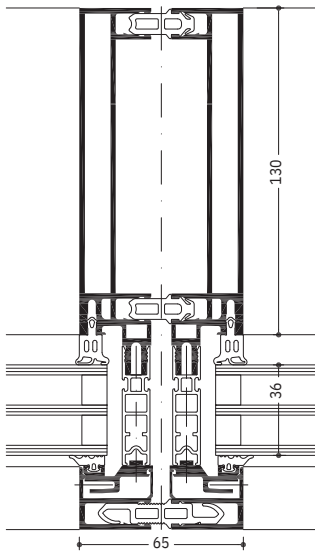
» Unitised curtain wall

ALUMINIUM PROFILE SYSTEMS

# » WICTEC 50EL Unitised curtain wall

WICTEC 50EL is a unitised version of the WICTEC 50 stick system. This range combines the advantages of the stick system structure with the assembly benefits of unitised curtain walling, and creates extremely narrow sight lines of only 50 or 65 mm.

The external profiles are mitre cut, achieving a particularly elegant “picture frame” appearance. Where there are stringent requirements pertaining to thermal insulation, WICTEC 50 EL offers the appropriate solution.



**System test results / CE product pass  
in accordance with DIN EN 13830**

Air permeability: Class AE	
Water tightness: RE 1200	
Resistance to wind load: 2000 / -3200 Pa,	security 3000 / -4800 Pa
Impact resistance: Class E5 / I5	
Quality assurance: Certified according to ISO 9001:2008	
Environmental management: Certified according to ISO 14001	



**Technical performance:**

System width: 50 mm for integral fenestration and 65 mm for coupled frames  
 Profile depth: 195 mm to 213 mm  
 Thermal insulation: U f up to 1.4 W/(m²K) horizontally and U f up to 1.5 W/(m²K) vertically  
 Infill thickness: up to 44 mm  
 Unit sizes: (w x h) up to 3000 mm x 3500 mm, up to 1500 mm width without integrated mullions

**System technology:**

- WICTEC 50EL is a basic unitised system and can be adapted individually to meet specific project requirements
- The complete units are produced in the workshop, avoiding the influence of weather conditions and assuring a constantly high level of quality
- Fast, efficient and projectable assembly on site
- Aluminium profiles using mullion-transom technology, with insulating profiles that provide a high level of thermal insulation
- Narrow sight lines for maximum transparency
- Mullions and transoms have the same profile depth
- Efficient thermal performance, up to U f = 1.4 W/(m²K)
- Reliable corner connection with systemised brackets
- Fast and easy installation on site using a dedicated anchor system

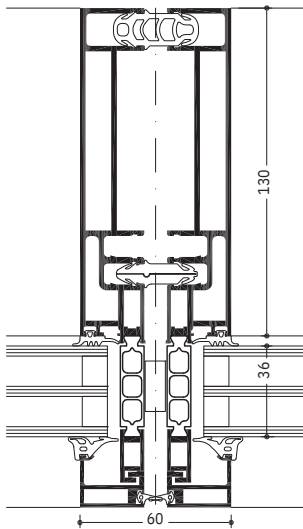




## » WICTEC EL60 Unitised curtain wall

WICTEC EL60 is a slimline unitised curtain wall system, with reduced sight lines of just 60 mm both inside and outside. The external profiles are mitre cut, achieving a particularly elegant “picture frame” appearance.

With optimised thermal insulation, the system leads the way with outstanding U<sub>f</sub> values of up to 0.9 W/(m<sup>2</sup>K).



### System test results / CE product pass in accordance with DIN EN 13830

Air permeability: Class AE	
Water tightness: RE 1200	
Resistance to wind load: 2000 / -3200 Pa,	security 3000 / -4800 Pa
Impact resistance: Class E5 / I5	
Quality assurance: Certified according to ISO 9001:2008	
Environmental management: Certified according to ISO 14001	



### Technical performance:

System width: 60 mm  
 Profile depth: 198 mm  
 Thermal insulation: U<sub>f</sub> for integral fenestration up to 1.6 W/(m<sup>2</sup>K),  
 U<sub>f</sub> for frame combinations up to 1.8 W/(m<sup>2</sup>K) and  
 U<sub>cw</sub> up to 0.9 W/(m<sup>2</sup>K)  
 Infill thickness: Up to 36 mm as standard system (greater on request)  
 Unit sizes: (w x h) up to 2800 mm x 3500 mm, up to 1500 mm width without integral mullions

### System technology:

WICTEC EL60 is a basic unitised system and can be adapted individually to meet specific project requirement  
 The complete units are produced in the workshop, avoiding the influence of weather conditions and assuring a constantly high level of quality  
 Fast, efficient and projectable assembly on site  
 Aluminium composite profiles with excellent thermal insulation, from quality-assured and monitored production  
 Slim sight lines of only 60 mm, for both integral fenestration and coupled frames  
 Mullions and transoms have the same profile depth  
 Reliable corner bracket connections  
 Fast and easy installation on site using a dedicated anchor system



Austria  
5201 Seekirchen  
☎ +43 6212 2000  
✉ info@wicona.at

Benelux  
3400 Landen  
☎ +32 11 690316  
✉ info@wicona.be  
✉ info@wicona.nl

Croatia  
10010 Zagreb  
☎ +385 01 2048 217  
✉ info@wicona.de

Czech Republic  
619 00 Brno  
☎ +420 602 745 407  
✉ wicona@wicona.cz

Denmark  
8240 Risskov  
☎ +45 7020 2048  
✉ wicona@wicona.dk

España  
08195 Sant Cugat del Vallès  
Barcelona  
☎ +34 93 573 77 76  
✉ wicona.es@wicona.com

Estonia / Latvia  
75312 Rae vald Harjumaa  
☎ +372 657 66 35  
✉ info@wicona.ee

France  
02200 Courmelles  
☎ +33 3 23598200  
✉ info@wicona.fr

Germany  
89077 Ulm  
☎ +49 731 3984-0  
✉ info@wicona.de

Hungary  
1031 Budapest  
☎ +36 (1) 4533457  
✉ info@wicona.hu

Ireland  
Dublin D22 X286  
☎ +353 1 4105766  
✉ info@wicona.ie

Italia  
20063 Cernusco sul Naviglio MI  
☎ +39 02 924291  
✉ info@wicona.it

Kosovo-Albania  
Prishtina 10000, Kosovo  
☎ +38 349 28 02 22  
✉ info@wicona.de

Lithuania / Latvia  
02244 Vilnius  
☎ +370 5 2102587  
✉ info@wicona.lt

Norway  
2007 Kjeller  
☎ +47 22 42 22 00  
✉ wicona@wicona.no

Poland  
93-428 Łódź  
☎ +48 42 683 63 73  
✉ wicona.pl@hydro.com

Romania  
032332 Bucharest  
☎ +40 724 743 070  
✉ info@wicona.de

Serbia  
11070 Beograd  
☎ +381 11 312 18 35  
✉ info@wicona.de

Slovakia  
82105 Bratislava  
☎ +421 918 725 098  
✉ info@wicona.sk

Slovenia  
2201 Zg. Kungota  
☎ +386 2 620 99 70  
✉ info@wicona.de

Sweden  
574 81 Vetlanda  
☎ +46 470 78 74 00  
✉ wicona@wicona.se

Switzerland  
5506 Mägenwil  
☎ +41 62 887 41 41  
✉ info@wicona.ch

United Kingdom  
Tewkesbury, GL20 8SF  
☎ +44 1684 853500  
✉ info.wiconauk@wicona.com

China  
Beijing 100005, P.R.C  
☎ +86 10 6059 5686 ext. 805  
✉ contact.wicona.international@wicona.com

Singapore  
608831 Singapore  
☎ +65 6513 2126  
✉ contact.wicona.international@wicona.com

United Arab  
Emirates Dubai  
☎ +971 4 887 00 96  
✉ contact.wicona.international@wicona.com

United States of America  
☎ 1+(516) 519-4635  
✉ info.na@wicona.com

Other countries  
31037 Toulouse  
☎ +33 5 61312626  
✉ contact.wicona.international@wicona.com